

SAFE 3

THERMAL TEMPERATURE SCANNING SYSTEM

SN-T5/F



Safety and security of your
students, staff, employees, customers
and organizations



SAFE 3 // THERMAL TEMPERATURE SCANNING SYSTEM

Protect your environment with the Safe 3 Intelligent Thermal Temperature Scanning System. As preventative protection against the COVID-19 virus, **ICAS**® has introduced a solution for the detection of temperature in large groups of people to help ensure the safety and security of your students, staff, employees, customers and organizations.

Using internal analytics, the Safe 3 camera produces a visible light image with thermal data overlaid on the image. Within a predefined alert area if the reading exceeds a specified temperature a virtual box will turn red and flash on the screen.

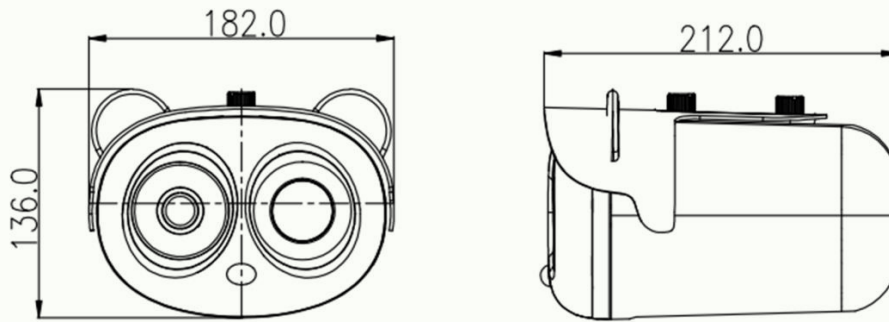
The body temperature detection system non-invasively detects and can scan up to 16 people every frame (30ms). By utilizing standard optics and using the second thermal camera that measures the temperature of the forehead and transforms it into body temperature, thus reporting cases of fever with almost absolute precision.

The pre-existing algorithm considers the surrounding air, including the presence of a computerized thermoregulatory in the environment, and obtains the exact body temperature. Notification is then transmitted to registered admin users via any multimedia device available including a PC or a smartphone.

KEY FEATURES

- Non-contact temperature measurement
- On-board temp-detection algorithm
- One IP address two channels
- Effective pixels 400×300
- Sensitivity $\leq 40\text{mK}$
- Thermal: 8mm Fixed lens, Visible: 2.7~12mm motorized lens
- Accuracy $\pm 0.3^{\circ}\text{C}$
- Body temperature measurement up to 45 Targets
- Response Time $\leq 30\text{ms}$
- 17 color control

DIMENSION



ACCESSORIES

Optional:



SN-BK346
Wall bracket



SN-BK350
Ceiling Bracket



SN-BK360
Tripod

SOLUTION



CAMERA

BLACKBODY

CMS

BRACKETS

SAFE3 // By ICAS® Corp.



HELP PREVENT THE SPREAD



AI-BASED FEVER DETECTION



DETECT ONE OF THE SYMPTOMS

www.safeusa.com

SAFE 3 - By ICAS® Corp. is not a medical device. It cannot detect COVID-19 or ensure that no one carrying the virus will enter the workplace.



**ONE-STOP
SINGLE SOURCE
TECHNOLOGY
PROVIDER**

For all of your business technology needs from security surveillance to project management services, cabling solutions and more.

**ALL OUR
SERVICES ON**
www.icascorp.com
OR MESSAGE US
askus@icascorp.com

**INTERFACE CABLE
ASSEMBLIES &
SERVICES CORP.**

42-19 23RD Ave
LONG ISLAND CITY,
NY 11105

M: 516 641 1490
O: 718 278 1100
O: 800 247 5203

